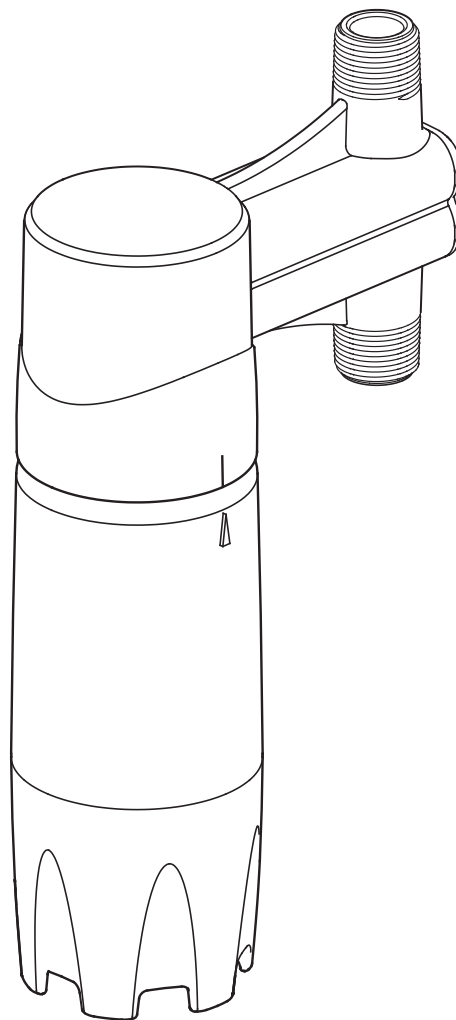


# ECOPURE®

Water Solved.®

## Model EPWHP

How to install, operate  
and maintain your  
Water Heater Protector



Do not return unit to store

If you have any questions or concerns when installing, operating or maintaining your water heater protector, call our toll free number:

1-800-693-1138

or visit [www.ecopure.com](http://www.ecopure.com)

Point-of-entry system tested and certified by NSF International under NSF/ANSI Standard 372 for low lead content and NSF/ANSI Standard 61 for materials safety requirements only. Not certified for contaminant reductions or structural integrity by NSF International.



Manufactured and warranted by  
Ecodyne Water Systems  
1890 Woodlane Drive  
Woodbury, MN 55125

*Installation and Operation Manual*


# Specifications

Supply Water Pressure Min. - Max.	20 - 100 psi (138 - 689 kPa)
Supply Water Temperature Min. - Max.	40 - 100 °F (4 - 38 °C)
Service Flow Rate	8 gpm
Pressure Drop at Service Flow Rate	12 psi
Inlet - Outlet	3/4 inch Male NPT

## Safety Information

Read, understand, and follow all safety information contained in these instructions prior to installation and use of the EcoPure Water Heater Protector Model EPWHP. Retain these instructions for future reference.

### EXPLANATION OF SIGNAL WORD CONSEQUENCES

 <b>WARNING</b>	Indicates a potentially hazardous situation, which, if not avoided, could result in death or serious injury and/or property damage.
<b>CAUTION</b>	Indicates a potentially hazardous situation, which, if not avoided, may result in property damage.

### **WARNING**

#### To reduce the chance of scald injuries from hot water spillage during a filter change:

- You must open a hot water faucet downstream of the water heater and allow at least 2 gallons (7.5 liters) of water to drain before removing the cartridge. Water in pipes and filter may be much hotter than the temperature of the pipes or the surface of the filter.

#### To reduce the risk associated with ingestion of contaminants:

- DO NOT use this system on water that is microbiologically unsafe or of unknown quality without adequate disinfection before or after the system.

### **CAUTION**

#### To reduce risk associated with property damage due to water leakage:

- Read and follow instructions before installation and use of this system.
- Installation and use MUST comply with all state and local plumbing codes.
- DO NOT install on hot water supply lines. Hot water will damage the Water Heater Protector. The maximum supply water temperature of this system is 100°F (38°C).
- Do not install this product where it will be exposed to outdoor weather or direct sun.
- Do not install or store this product where it will be exposed to temperatures below freezing. Water freezing in the Water Heater Protector will damage it.
- The maximum operating water pressure of this system is 100 pounds per square inch. If your home water supply pressure exceeds 80 psi, install a Pressure Reducing Valve (PRV) before installing the Water Heater Protector.
- Do not solder fittings while attached to the Water Heater Protector. Soldering heat will damage the inlet/outlet ports.
- Take care when using pliers or pipe wrenches to tighten plastic fittings, as damage may occur if over tightening occurs.

### **IMPORTANT**

- During installation, SHUT OFF FUEL OR ELECTRIC POWER TO WATER HEATER after shutting off water supply.
- The disposable cartridge MUST be replaced every 6 months, or sooner if a noticeable reduction in flow rate occurs.

# Installation

## CAUTION

### To reduce risk associated with property damage due to water leakage:

- Do not install on hot water supply lines. Hot water will damage the Water Heater Protector. The maximum supply water temperature of this system is 100°F (38°C).
- During installation, SHUT OFF FUEL OR ELECTRIC POWER TO WATER HEATER after shutting off water supply.
- Do not solder fittings while attached to the Water Heater Protector. Soldering heat will damage the inlet/outlet ports.
- Take care when using pliers or pipe wrenches to tighten plastic fittings, as damage may occur if over tightening occurs.
- Ensure all tubing and fittings are secure and free of leaks.

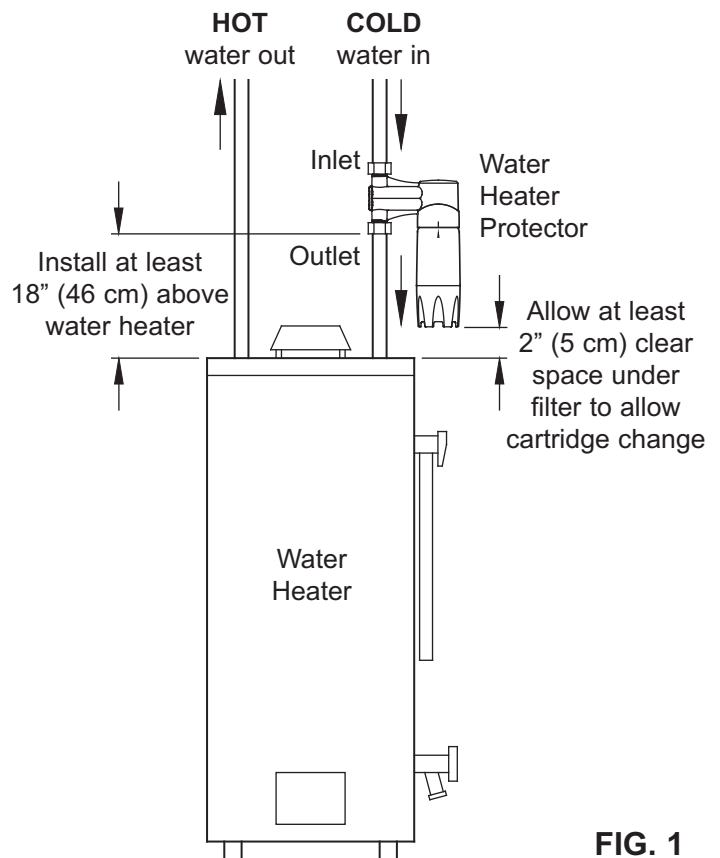
## IMPORTANT

- Install the Water Heater Protector with the inlet and outlet ports oriented as shown in Figure 1. Make sure not to reverse connections.
- Do not install the Water Heater Protector horizontally or upside-down.
- Install the Water Heater Protector at least 18" (46 cm) away from the water heater.
- Allow a minimum of 2" (5 cm) clear space under filter to allow cartridge change.

1. The Water Heater Protector has 3/4" male NPT threads on the inlet and outlet ports. Obtain two 3/4" female NPT fittings (not included) of the appropriate size and type to adapt to the existing COLD water supply pipe.

**NOTE:** If you cannot identify the cold water supply pipe to your water heater, consult a plumber.

2. Shut off the cold water supply. Open a hot water faucet downstream of the water heater to relieve pressure (faucet to remain open until end of Step 6). SHUT OFF FUEL OR ELECTRICAL POWER SUPPLY TO THE WATER HEATER. Drain water from the pipe.
3. Cut a section of the COLD water supply pipe, as needed to install the Water Heater Protector and install plumbing adaptors. Do not solder fittings while attached to the Water Heater Protector. Soldering heat will damage the inlet/outlet ports.
4. Apply 4 wraps of sealant tape to the threaded ends of the Water Heater Protector's inlet and outlet ports. Tighten all fittings firmly.
5. Make sure that the filter cartridge is fully installed, so that the arrow lines up with the mark on the head assembly (See Fig. 3 on the next page).
6. Make sure that a hot water faucet is still open downstream of the water heater. With plumbing work completed, slowly turn the cold water supply back on. When water flows smoothly, shut off faucet and check the installation for leaks.
7. Restart the water heater.
8. Open a hot water faucet downstream of the water heater and allow water to run through the system for 10 minutes to flush the filter cartridge.



**FIG. 1**

It is recommended to replace the EPWHP Water Heater Protector each time your water heater is replaced.

# Filter Replacement

## WARNING

To reduce the chance of scald injuries from hot water spillage during a filter change:

- You must open a hot water faucet downstream of the water heater and allow at least 2 gallons (7.5 liters) of water to drain before removing the cartridge. Water in pipes and filter may be much hotter than the temperature of the pipes or the surface of the filter.

## CAUTION

To reduce risk associated with property damage due to water leakage:

- The disposable cartridge MUST be replaced every 6 months or sooner if a noticeable reduction in flow rate occurs.

Replace the Filter Cartridge every **6 months**

Replacement Cartridge P/N **EPWHC**

Register for reminders to change filter cartridges at [www.ecopure.com](http://www.ecopure.com)

**NOTE:** The Water Heater Protector's automatic bypass feature eliminates the need to shut off your water supply when changing the filter cartridge.

1. Open a hot water faucet downstream of the water heater and allow at least 2 gallons of water to run through the system before removing the cartridge. Close the faucet.
2. Turn the filter cartridge to the left to remove from the head assembly (See Fig. 2). A small amount of water will be discharged from the head assembly when removing the cartridge.
3. Dispose of the used cartridge in a proper manner.
4. Remove the new filter cartridge from its packaging. Insert the new cartridge into the head assembly and turn to the right to attach it.

**IMPORTANT:** Tighten the filter cartridge until the arrow lines up with the mark on the head assembly. (See Fig. 3).

5. Open a hot water faucet downstream of the water heater and allow water to run through the system for 10 minutes to flush the cartridge.

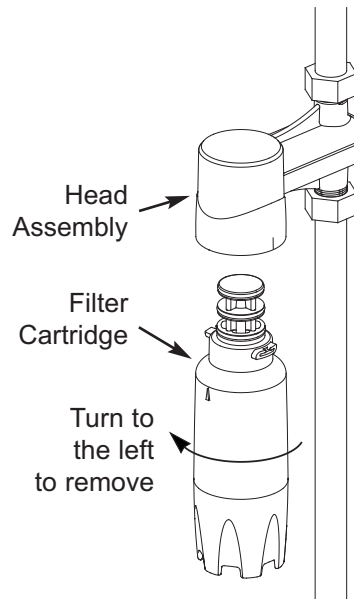


FIG. 2

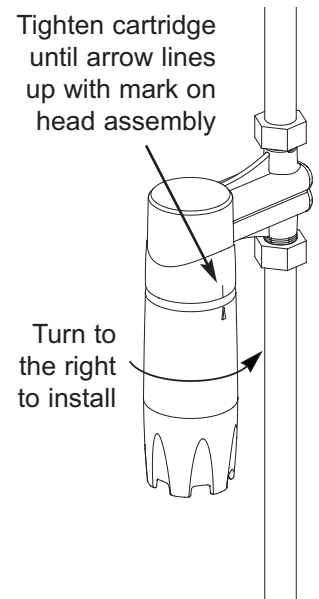


FIG. 3

Questions? Call Toll Free 1-800-693-1138 or visit [www.ecopure.com](http://www.ecopure.com)

---

## WARRANTY

### ONE YEAR LIMITED WARRANTY ON WATER HEATER PROTECTOR (except filter cartridges)

**Warrantor: Ecodyne Water Systems, 1890 Woodlane Drive, Woodbury, MN 55125**

Warrantor guarantees, to the original owner, that the Water Heater Protector, when installed and maintained in accordance with the instructions, will be free from defects in materials and workmanship for a period of one (1) year from the date of purchase. If, within the first year, a part proves, after inspection, to be defective, Warrantor will, at its sole option, either replace or repair the part without charge except normal shipping and installation charges. Labor to maintain the equipment is not part of the warranty. Filter cartridges, which are expendable, are not covered by the warranty.

TO OBTAIN WARRANTY PARTS, SIMPLY CALL 1-800-693-1138 for assistance. This warranty applies only while this product is in use in the United States or Canada.

#### General Provisions

The above warranties are effective provided the Water Heater Protector is operated at water pressures not exceeding 100 psi, and at water temperatures not exceeding 100°F; provided further that the Water Heater Protector is not subject to abuse, misuse, alteration, neglect, freezing, accident or negligence; and provided further that the Water Heater Protector is not damaged as the result of any unusual force of nature such as, but not limited to, flood, hurricane, tornado or earthquake.

Warrantor is excused if failure to perform its warranty obligations is the result of strikes, government regulation, materials shortages, or other circumstances beyond its control.

**\*THERE ARE NO WARRANTIES ON THE WATER HEATER PROTECTOR BEYOND THOSE SPECIFICALLY DESCRIBED ABOVE. ALL IMPLIED WARRANTIES, INCLUDING ANY IMPLIED WARRANTY OF MERCHANTABILITY OR OF FITNESS FOR A PARTICULAR PURPOSE, ARE DISCLAIMED TO THE EXTENT THEY MIGHT EXTEND BEYOND THE ABOVE PERIODS. THE SOLE OBLIGATION OF WARRANTOR UNDER THESE WARRANTIES IS TO REPLACE OR REPAIR THE COMPONENT OR PART WHICH PROVES TO BE DEFECTIVE WITHIN THE SPECIFIED TIME PERIOD, AND WARRANTOR IS NOT LIABLE FOR CONSEQUENTIAL OR INCIDENTAL DAMAGES. NO WARRANTOR DEALER, AGENT, REPRESENTATIVE, OR OTHER PERSON IS AUTHORIZED TO EXTEND OR EXPAND THE WARRANTIES EXPRESSLY DESCRIBED ABOVE.**

Some states do not allow limitations on how long an implied warranty lasts or exclusions or limitations of incidental or consequential damage, so the limitations and exclusions in this warranty may not apply to you. This warranty gives you specific legal rights, and you may have other rights which vary from state to state. This warranty applies to consumer-owned installations only.